

Y type strainers

Flanged ends



Features

BVALVE introduces its new Y type strainers which stop pipelines and equipment from blockage through the filtering of foreign matter which tends to build up in pipelines, such as solids or contaminants. They are therefore used to avoid expensive shut downs and to secure pumps' suction inlet, valves, and pipeline equipment from damaging.

Typical Applications

These may be applied on processes containing steam, thermal oil, water, hot water, compressed air, chemical fluids and LPG among others.

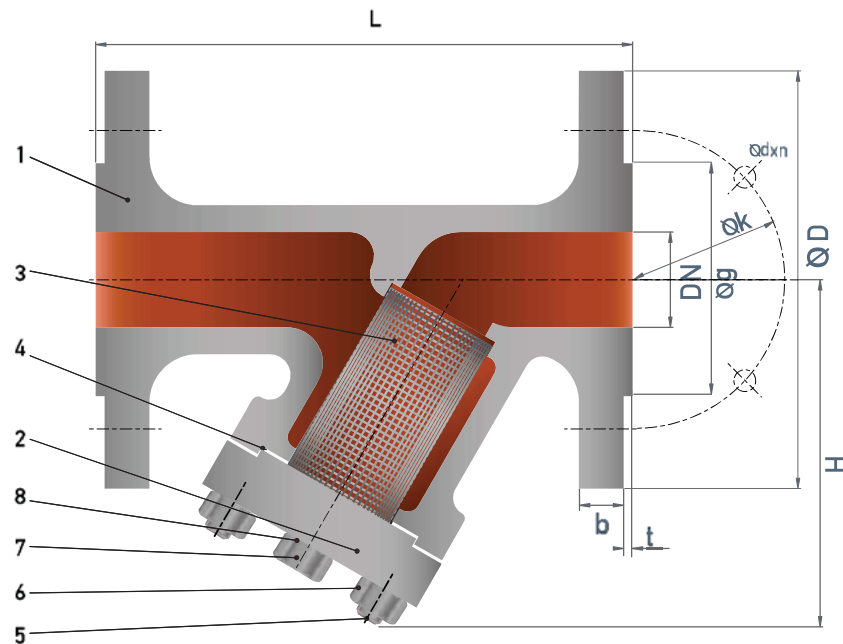
Specifications

Size:	DN15-DN300	Connections:	Flanges DIN EN1092-B PN16
Body and cover:	Grey cast iron EN1561 grade EN-JL 1040 DIN GG25	Desing:	DIN EN 12516
Screen:	AISI316	Working Conditions:	EN 1092-2 PN16 (-10 °C / 300 °C)
Gasket:	Graphite	Face to Face:	DIN EN 558-1
Studs / nuts:	CK 35 (1.1181) / C35E	Test:	EN 12266-1

BV12061 | PN16 EN 1092-1

Grey cast iron

Temperature min. -10°C
Temperature max. +300°C



N°	COMPONENT	MATERIALS
1	Body	Grey cast iron / EN-JL 1040
2	Bonnet	Grey cast iron / EN-JL 1040
3	Screen	Stainless Steel AISI 316
4	Gasket	Graphite
5	Stud	CK 35 (1.1181) / C35E
6	Nut	CK 35 (1.1181) / C35E
7	Drain Plug	CK 35 (1.1181) / C35E
8	Gasket	Graphite

DN / Size	Mesh (mm.)
15 - 50	1
65 - 80	1,25
100 - 300	1,60

DN200 - DN300 screens include supporting basket

Dimensions

DN / Size	15	20	25	32	40	50	65	80	100	125	150	200	250	300
L	130	150	160	180	200	230	290	310	350	400	480	600	730	850
H	76	100	107	114	124	141	201	232	248	295	355	425	535	615
ØD	95	105	115	140	150	165	185	200	220	250	285	340	405	460
Øk	65	75	85	100	110	125	145	160	180	210	240	295	355	410
b	16	16	16	18	18	20	20	22	24	26	26	30	32	32
dxn	14x4	14x4	14x4	19x4	19x4	19x4	19x4	19x8	19x8	19x8	23x8	23x12	28x12	28x12
Weight(kg)	2,2	2,8	3,5	5,5	7	9,5	24	31,3	42,4	84	96	110	180	286
Øg	46	56	65	76	84	99	118	132	156	184	211	266	319	370
t	2	2	3	3	3	3	3	3	3	3	3	3	3	4

WORKING CONDITIONS

Temperature °C	-10/120	150	200	250	300
Pressure Bar	16	14,4	12,8	11,2	9,6